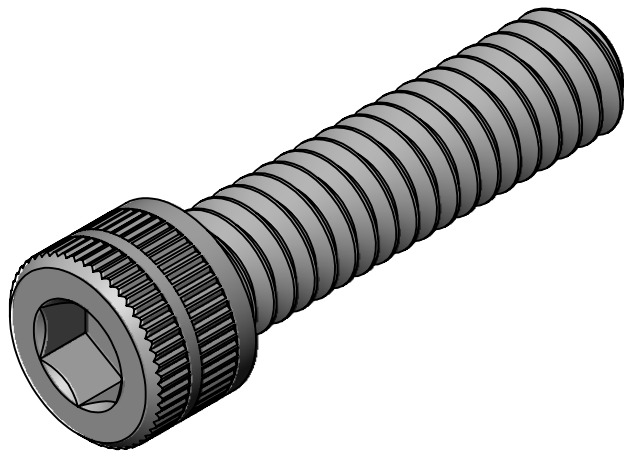
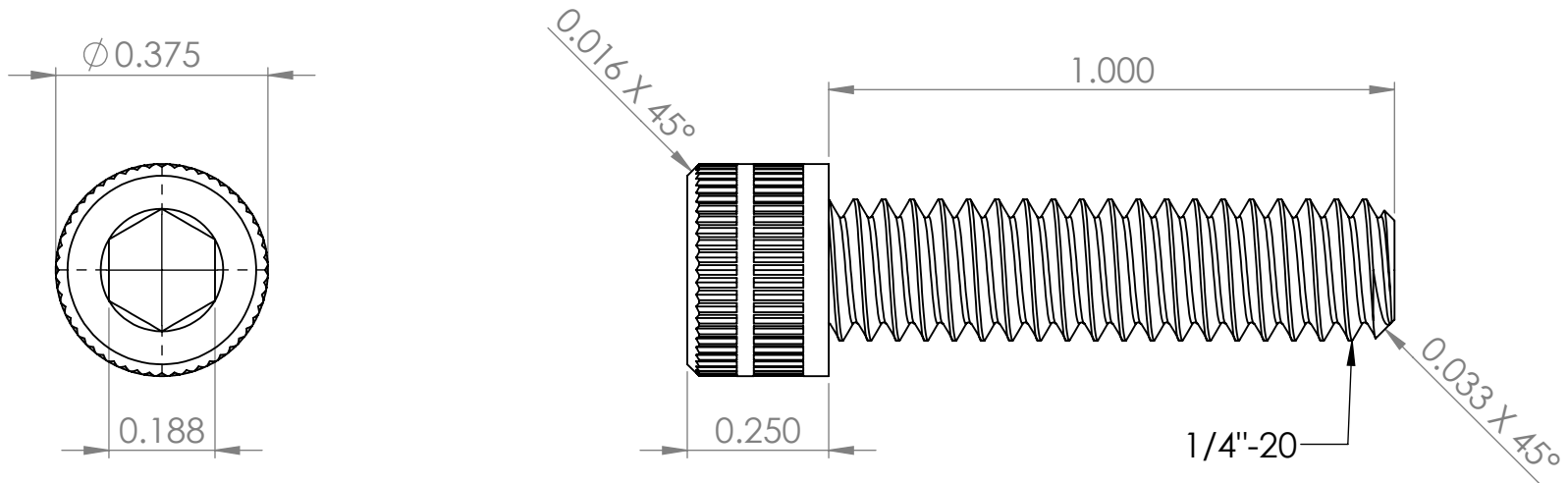


NOTE: DIMENSIONS ARE IN INCHES.



Part Number	NAS1352C-4-16
Material	18-8 Stainless Steel
Specification	NAS1352C
Socket Head Cap Screw	